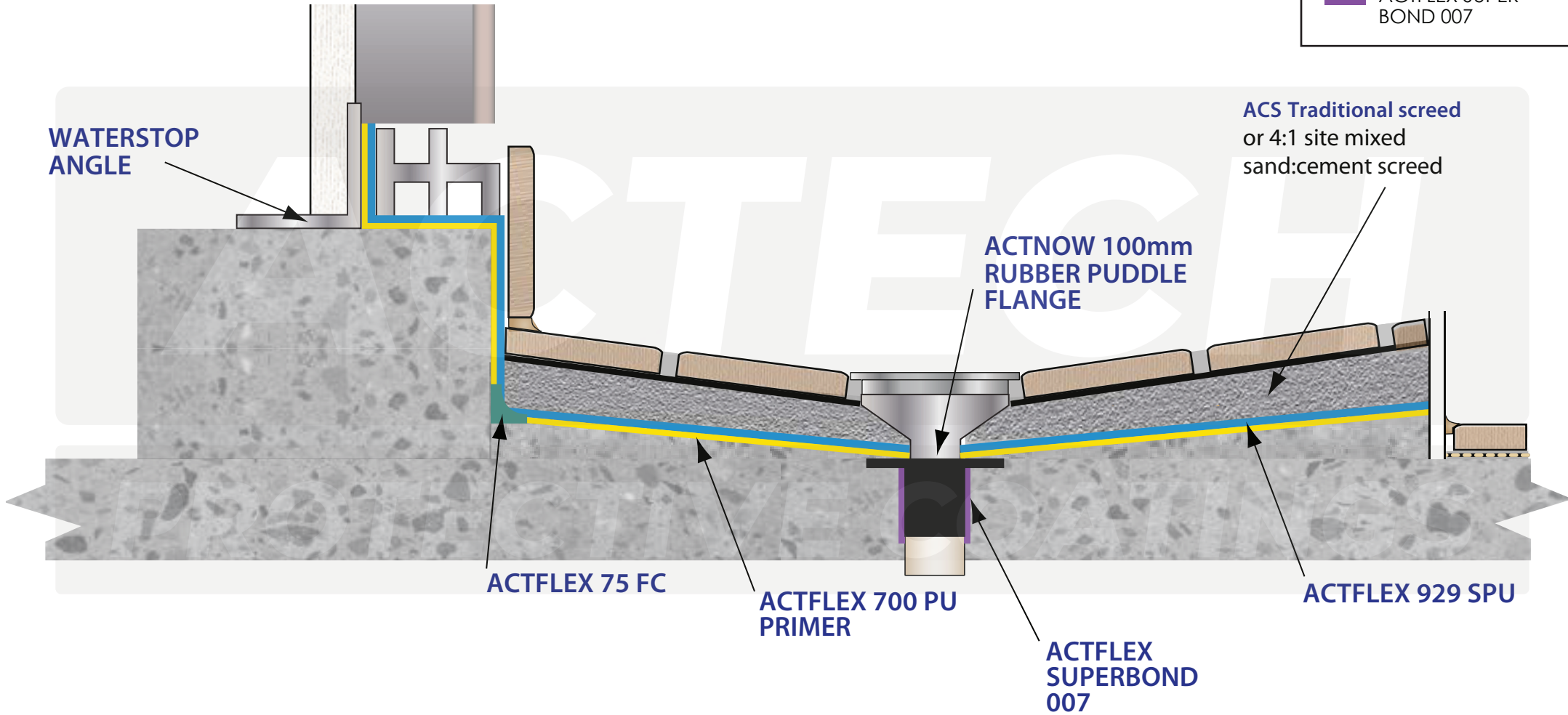


BALCONY DETAIL

LEGEND

- ACTFLEX 929 SPU
- ACTFLEX 75 C
- ACTFLEX 700 PU PRIMER
- ACTFLEX SUPER BOND 007



The provided drawings and waterproofing details are intended to serve as general guidelines. It is the responsibility of the user to ensure the correct application of the products as per the specified instructions. These details are not exact to site-specific conditions and must be thoroughly reviewed and clarified prior to installation. It is imperative that all site conditions and any potential variations are considered, and that necessary adjustments are made to suit the specific requirements of the project. Any discrepancies or uncertainties should be addressed and resolved in consultation with our technical support team to ensure proper implementation.

DETAIL NAME
DRAWING NUMBER
SIGNED BY
DATE

ACTECH

PROTECTIVE COATINGS